

**PM SERIES
UNIVERSAL
PROJECTOR
WALL / CEILING
MOUN**

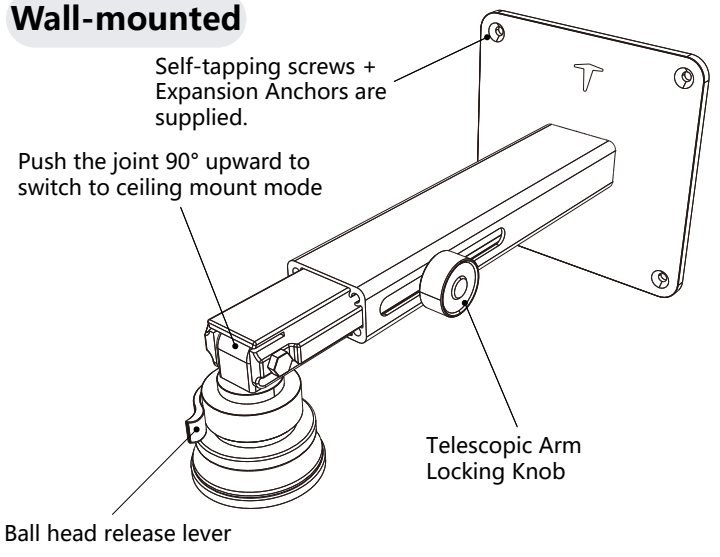
PM01/02/03/04

Instruction manual

PROJECTOR
RIMOUNT

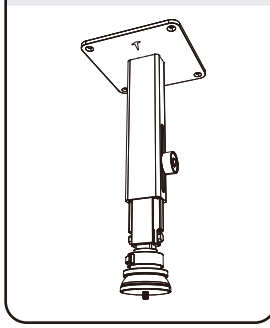
Product Overview PM01/PM02

Wall-mounted



Product Size:
Length 320 x width 150 x height 150mm
Product Net Weight:
0.94kg

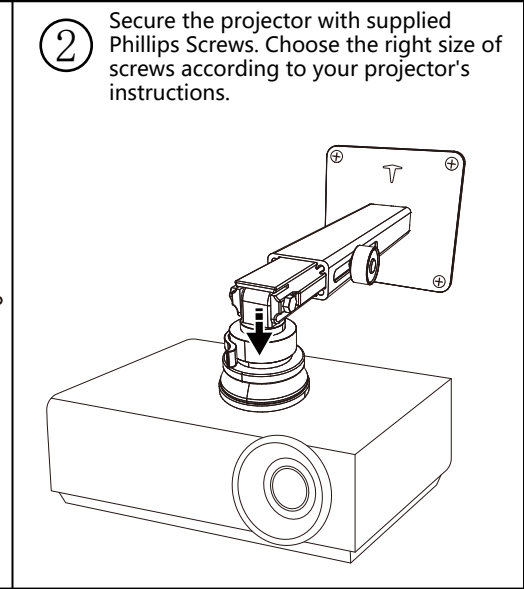
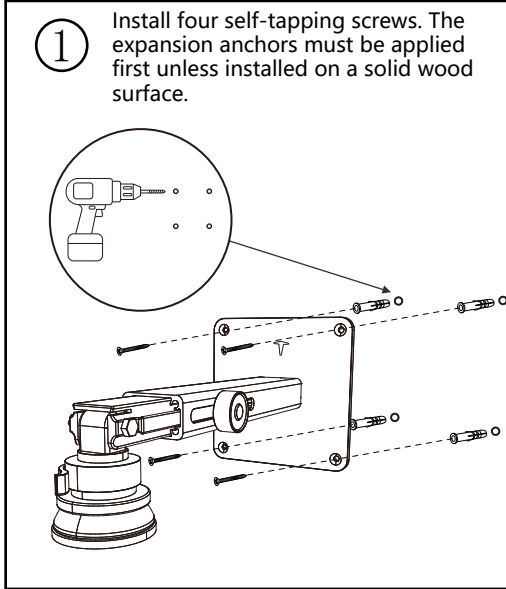
Suspended ceiling



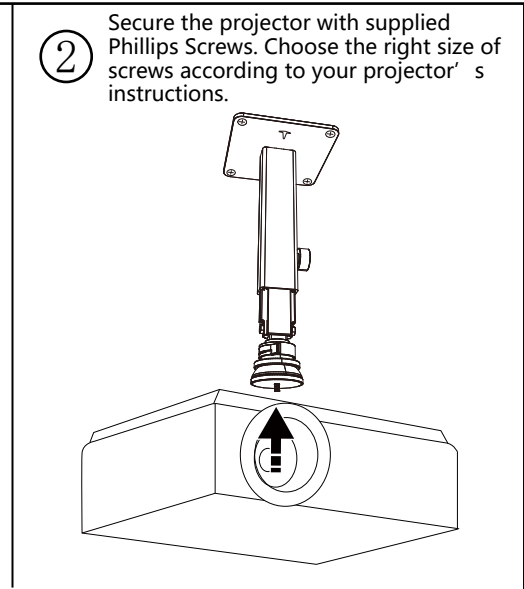
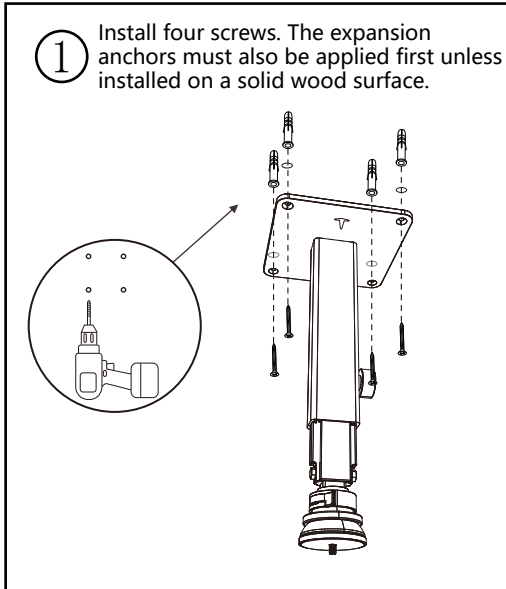
List of Accessories

Parts	Specification	Quantity	
Expansion anchors	8-40	4	
Self-tapping screws	8-40	4	
Phillips screws	M3*16	4	
Phillips screws	M3*40	4	
Phillips screws	M4*16	4	
Phillips screws	M4*40	4	
Phillips screws	M6*16	4	
Phillips screws	M6*40	4	
User Manual	-	1	

Wall Mounted



Ceiling Mounted

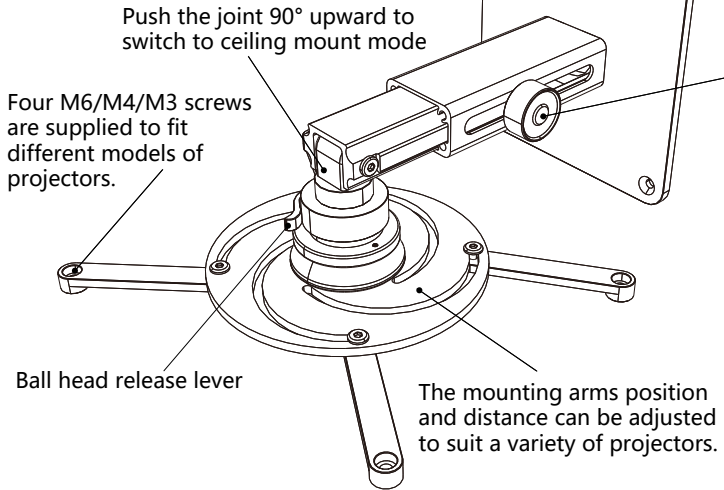


Product Overview PM03/PM04

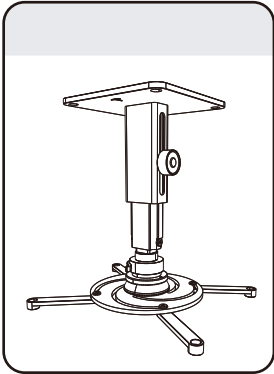
Wall-mounted

Self-tapping screws + Expansion Anchors are supplied.

Product Size:
Length 320 x width 150 x height 150mm
Product Net Weight:
1.07 kg



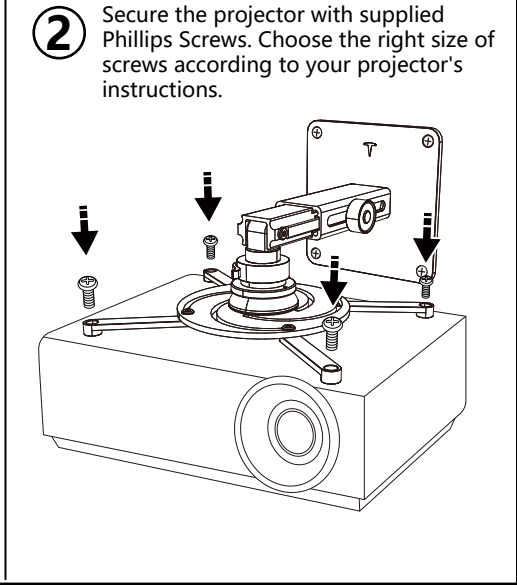
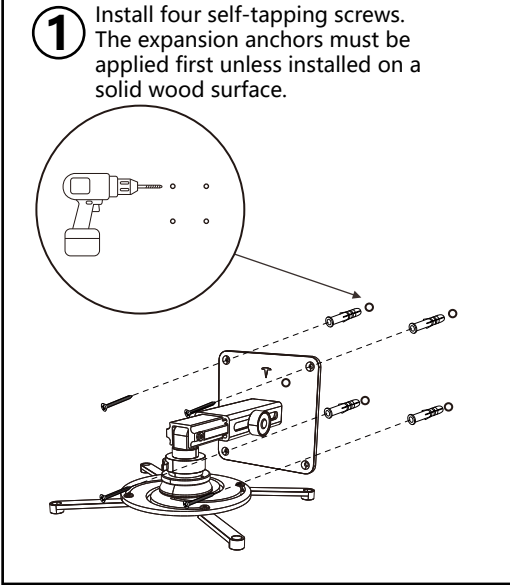
Telescopic Arm Locking Knob



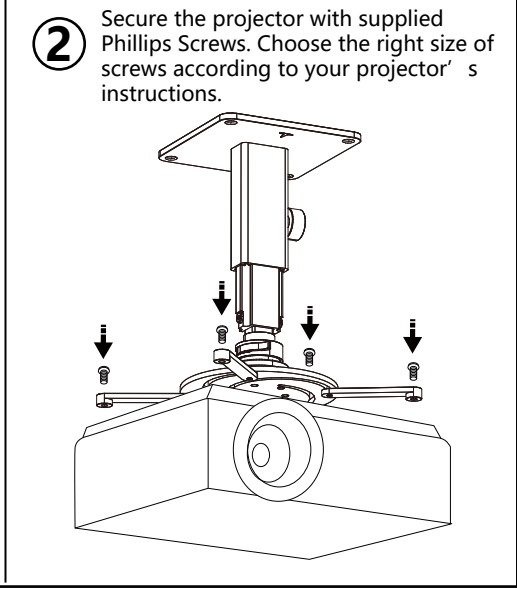
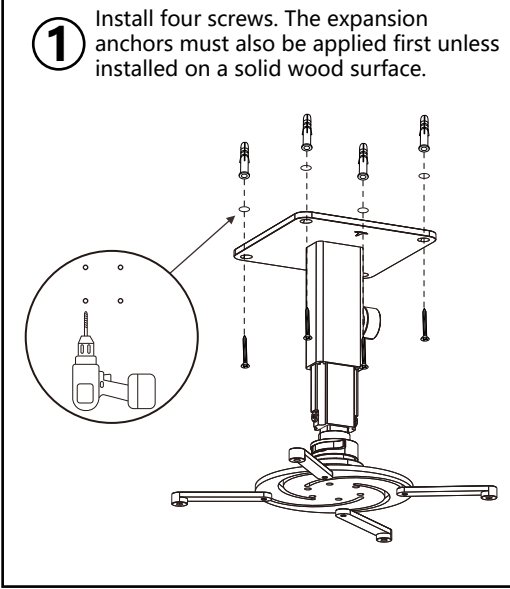
List of Accessories

Parts	Specification	Quantity	
Expansion anchors	8-40	4	
Self-tapping screws	8-40	4	
Phillips screws	M3*16	4	
Phillips screws	M3*40	4	
Phillips screws	M4*16	4	
Phillips screws	M4*40	4	
Phillips screws	M6*16	4	
Phillips screws	M6*40	4	
User Manual	-	1	

Wall Mounted



Ceiling Mounted



MAXLIGHT | Projection
Solutions

